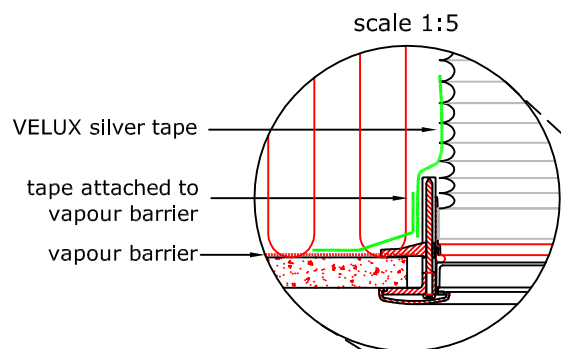


PLAN VIEW

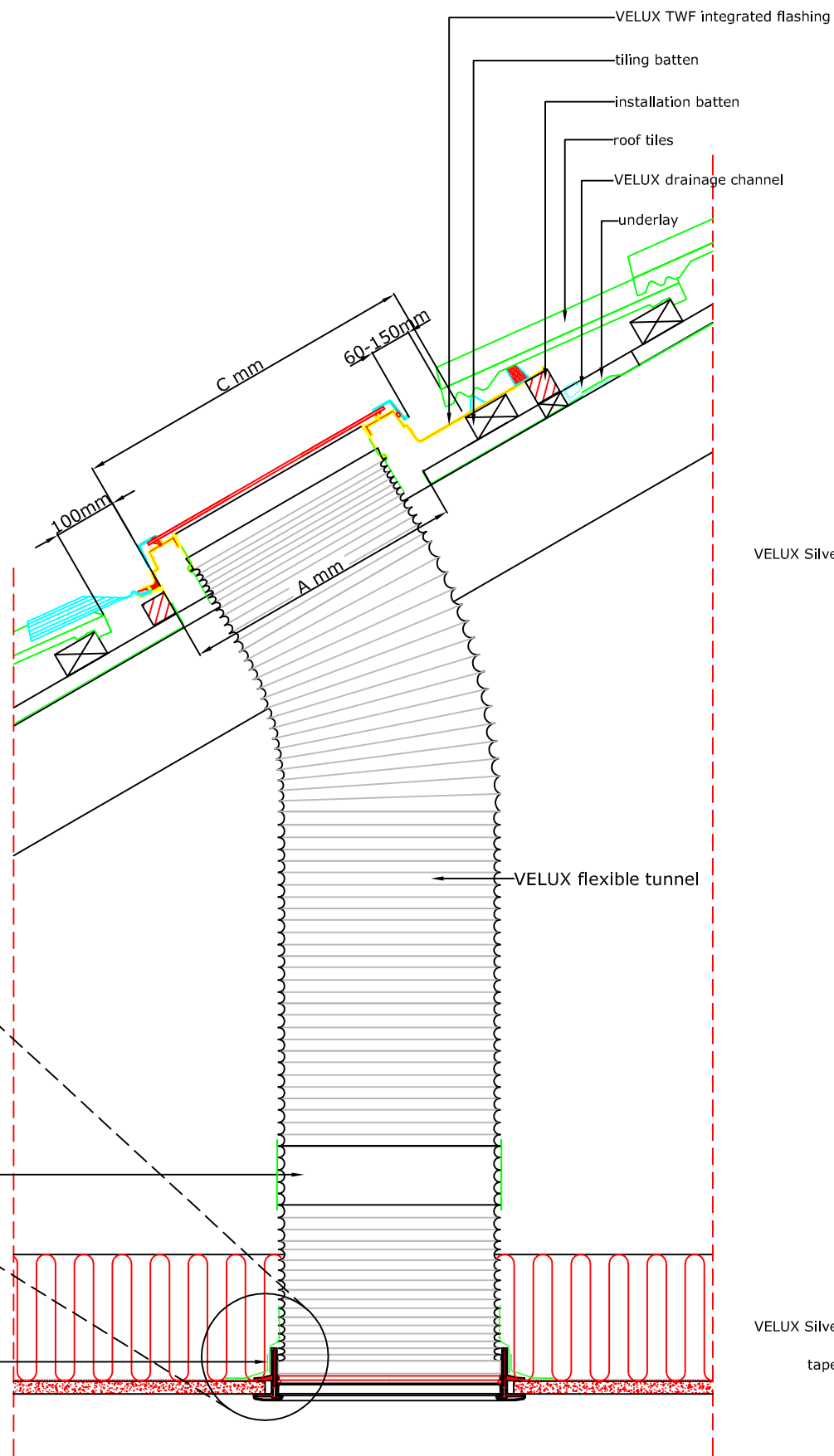
	A mm	B mm	C mm
010"	360-420	380	600
014"	460-520	480	700

SETTING OUT

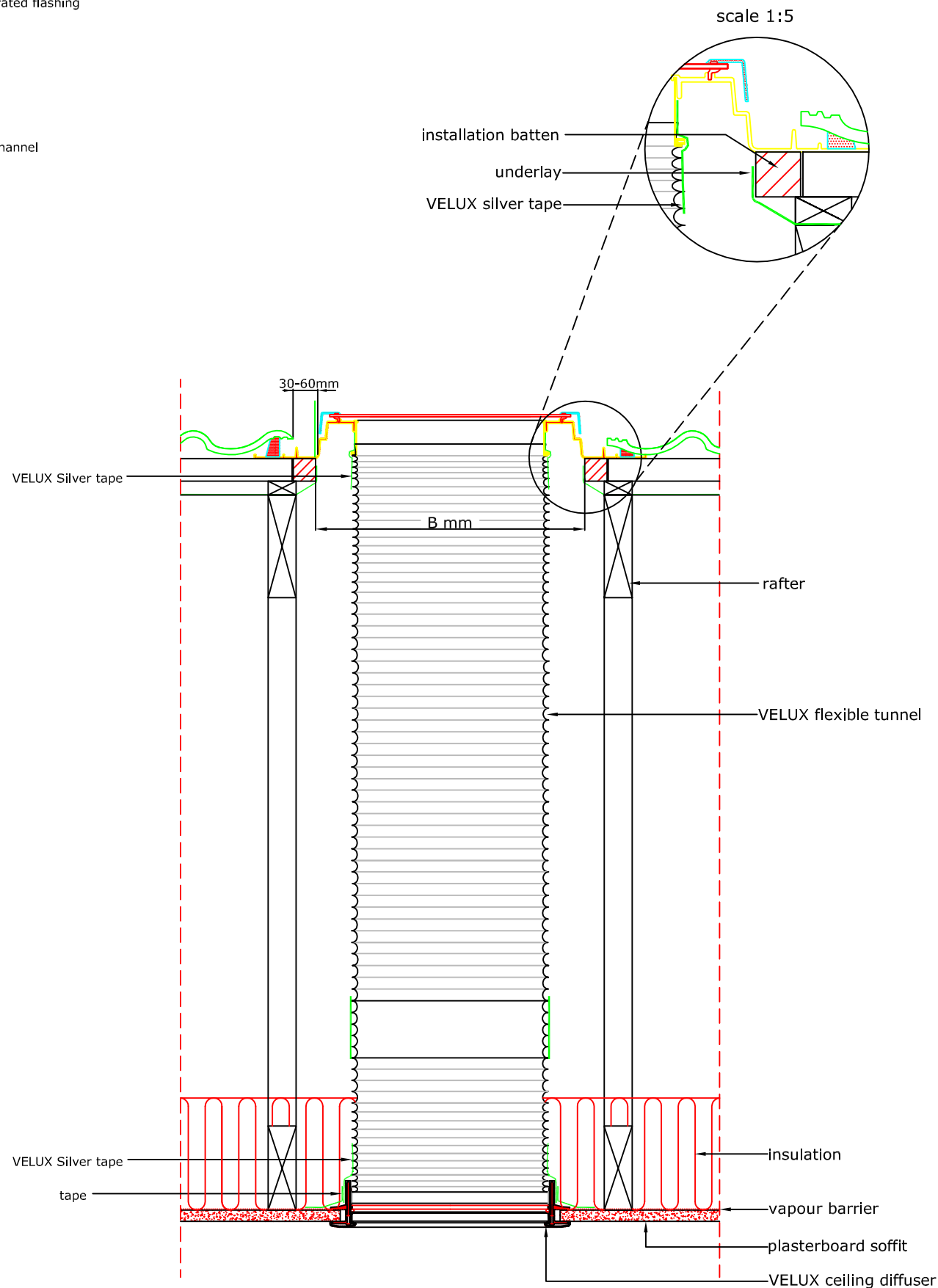


any joints must be sealed with VELUX silver tape

VELUX silver tape



SECTION A-A



SECTION B-B



VELUX Company Ltd
Woodside Way
Glenrothes, Fife KY7 4ND

VELUX Sun Tunnel

Flexible sun tunnel into tile
consisting of sun tunnel and diffuser assembly

All dimensions are in millimetres where shown

NOTE!

When installing VELUX Sun Tunnels, please ensure compliance with building regulations and British/European standards where necessary. This detail represents the principles of a typical installation only and the design and specification of the final detail is the responsibility of others.

TWF sun tunnel:



Tile:



Roof pitch range: 15° to 60°

Date: February 2013

Rev no: A

Rev date: 09Jan14

Drawn: PJH

File name:

TWF-VGB-0213-2004

Scale: 1:10 approx. @ A3